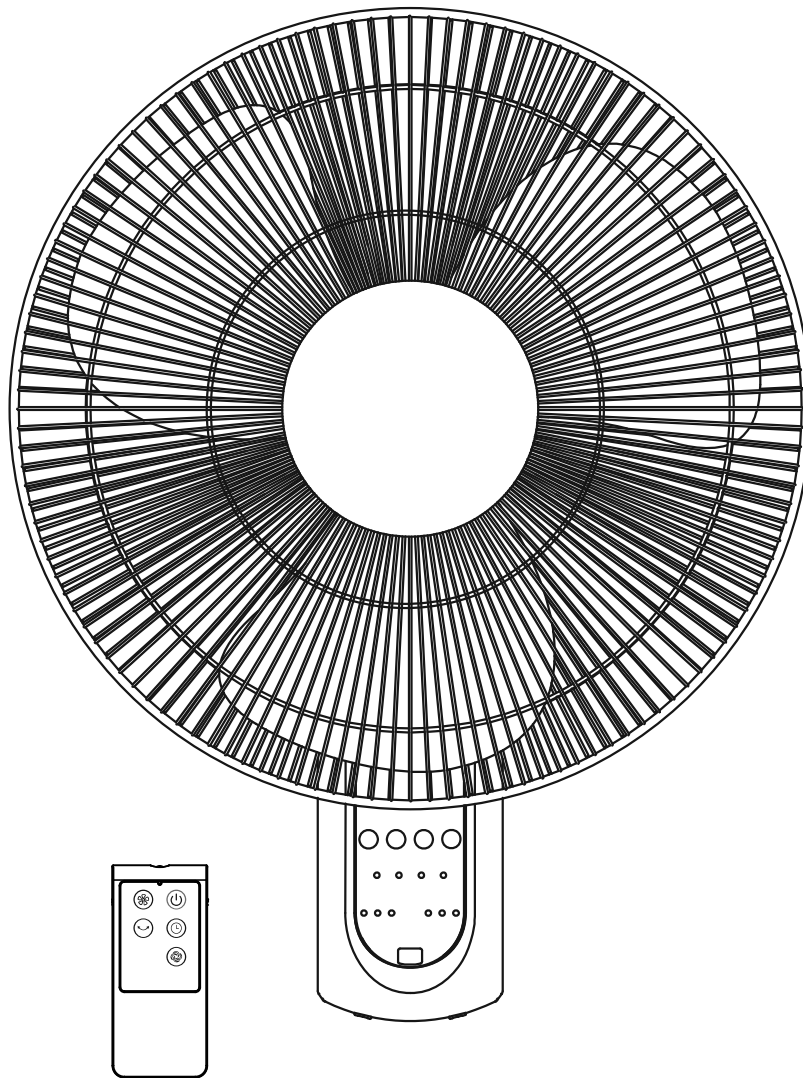




OWNER'S MANUAL

16" Wall Fan
MODEL: SF-16W90



READ AND SAVE THESE INSTRUCTIONS

Attention: Pictures in the IM are for reference only.

IMPORTANT SAFEGUARDS

Caution

Read Rules for Safe Operation and Instructions Carefully.

WARNING

1. If the supply cord is damaged, it must be replaced by manufacturer or its service agent or a similarly qualified person in order to avoid a hazard.
2. To protect against the risk of electrical shock, do not immerse the unit, cord or plug in water or other liquid.
3. This appliance is not intended for use by persons (including children) with reduced physical, sensory or mental capabilities, or lack of experience and knowledge, unless they have been given supervision or instruction concerning use of the appliance by a person responsible for their safety. Young children should be supervised to ensure that they do not play with the appliance.
4. When the appliance is not in use and before cleaning, unplug the appliance from the outlet.
5. Keep electrical appliances out of reach from children or infirm persons. Do not let them use the appliances without supervision.
6. When the fan was assembled, the rotor blade guard shall not be taken off anymore
 - Prior cleaning unplug the fan.
 - The rotor guard shall not be disassembled/opened to clean the rotor blades.
 - Wipe the fan enclosure and rotor blade guard with a slightly damp cloth.

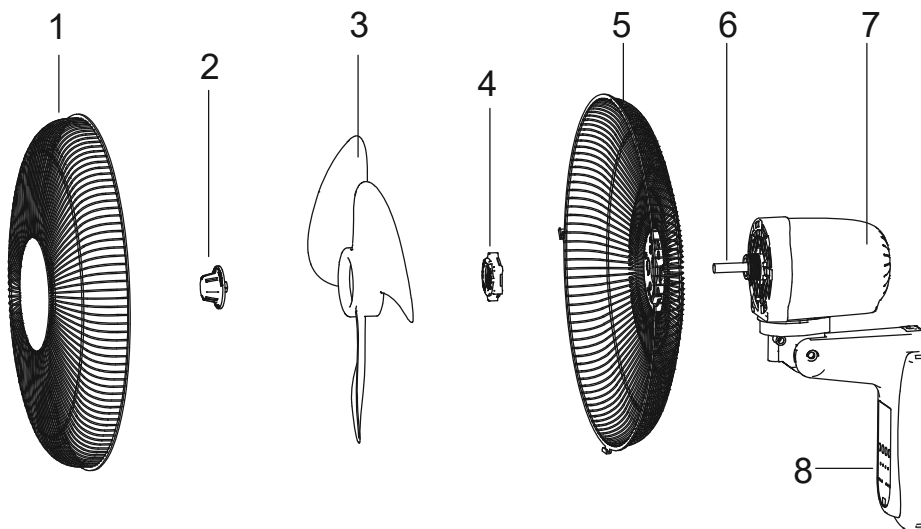
 **WARNING**

7. **WARNING:** To Reduce The Risk Of Fire Or Electric Shock, Do Not Use This Fan With Any Solid-State Speed Control Device.
8. This product employs overload protection (fuse). A blown fuse indicates an overload or short-circuit situation. If the fuse blows, unplug the product from the outlet. Replace the fuse by following the instructions at Page 9. and check the product. If the replacement fuse blows, a short-circuit may be present and the product should be discarded or returned to an authorized service facility for examination and/or repair.
9. Do not operate any fan with a damaged cord or plug. Discard fan or return to an authorized service facility for examination and/or repair.
10. Do not run cord under carpeting. Do not cover cord with throw rugs, runners, or similar coverings. Do not route cord under furniture or appliances. Arrange cord away from traffic area and where it will not be tripped over.
11. This appliance has a polarized plug (one blade is wider than the other). To reduce the risk of electric shock, this plug is intended to fit in a polarized outlet only one way. If the plug does not fit fully in the outlet, reverse the plug. If it still does not fit, contact a qualified electrician. Do not attempt to defeat this safety feature.
12. Do not remove the motor cover for repair or other purposes.

RULES FOR SAFE OPERATION

1. Never insert fingers, pencils, or any other object through the grille when fan is running.
2. Disconnect fan when moving from one location to another.
3. Be sure fan is on a stable surface when operating to avoid overturning.
4. Use your fan only in dry environments. This fan is not intended for use in a bathroom, laundry area, or similar locations, or near sinks, washing machines, swimming pools or other sources of water. Never locate fan where it may fall into a bathtub or other water receptacle. Do not use in damp environments such as flooded basements.
5. Household use only.

PART FIGURE



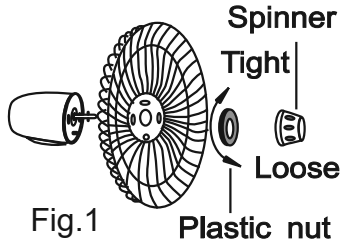
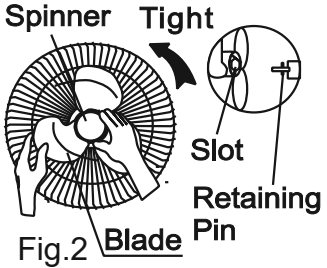
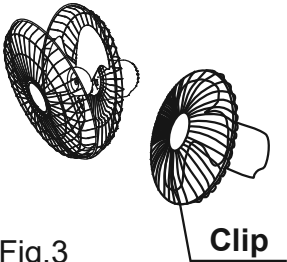
NO.	Description	NO.	Description
1	Front Grill	5	Rear Grill
2	Spinner	6	Motor Shaft
3	Fan blade	7	Motor and motor cover
4	Plastic lock nut	8	Control panel

PART FIGURE

Note:

All the pictures in this manual are for explanation purpose only. Any discrepancy between the real object and the illustration in the drawing shall be subject to the real product.

GRILL & FAN BLADE ASSEMBLY

 <p>Fig.1</p>	<p>1. Unscrew the spinner clockwise (or take the spinner out from the bag) and the plastic nut counterclockwise to remove both of them. Fix the rear grill to the motor then tighten the plastic nut again. (Fig. 1)</p>
 <p>Fig.2</p>	<p>2. Insert the blade into shaft, and make sure the motor shaft pin is fitted into groove of the blade. Turn the spinner counterclockwise to tighten the blade. (Fig. 2)</p>
 <p>Fig.3</p>	<p>3. Fasten the front grill and the rear grill by the grill clip and then tighten the fan grill locking screw and nut. (Fig. 3)</p>

INSTALLATION INSTRUCTIONS

MOUNTING ON THE WALL

The fan should be installed on a solid wooden or pillar which stands vertically to the floor.

1. Installing the mounting bracket

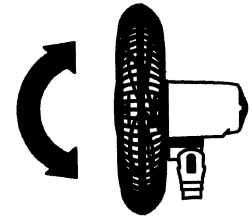
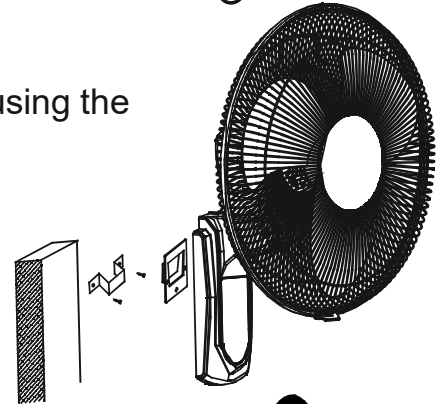
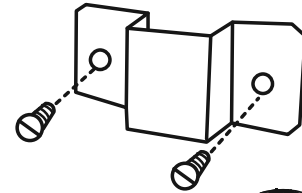
Fix the supplied mounting bracket firmly to the wall using the two screws.

2. Installing the stand

Mount the stand on the bracket by inserting the bracket catch into the slot on the stand.

TO ADJUST THE WIND DIRECTION

Push the guard lightly to the desired up or down direction.



⚠ Caution

To prevent the fan from falling off, do not install it on walls less than 4 inches thick or made of materials that are easily damaged.

📌 Note:

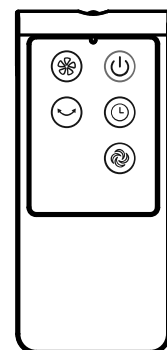
The bracket should be placed at least 12 inches below the ceiling and at least 12 inches from adjoining wall.

OPERATING INSTRUCTIONS

REMOTE CONTROLLER OPERATION

• “” **ON/OFF KEY**

The key is for switching on the fan. The fan will be started at low speed. Press this key again, and the fan will be switched off.



OPERATING INSTRUCTIONS

• “” **TIMER KEY**

Press the TIMER key, each time it is pressed, time duration indicator lights illuminate. (0.5, 1, 2 or 4 hours). Simply add up the time value of the lights to see timer setting up to 7.5 hours maximum time.

To turn the timer function off, press the TIMER key continuously until all the timer indicator lights are off.

Example: If you want to set the timer for 5.5 hours, this key must be pressed repeatedly until the indicator lights of 0.5, 1 and 4 hours are on all together. It means that the set timer is $0.5 + 1 + 4 = 5.5$ hours.

The timer setting indicated by the indicator lights will decrease gradually by a unit of 0.5 hour.

• “” **SPEED KEY**

After the fan has started, press to change fan speed in sequence of: Low - Medium - High. The corresponding indicator light will illuminate on the control panel.

• “” **OSC KEY**

After the fan is started, press this key to oscillate the fan, and stop the oscillation at desired direction by pressing the key again.

• “” **MODE KEY**

Press this key to select mode. This key is a selector key for wind type. The wind type changes in the sequence of NORMAL---NATURAL---SLEEP---NORMAL---NATURAL wind when this key being pressed repeatedly .

The features of 3 wind types are as followed:

NORMAL WIND:

The fan delivers air constantly with high, medium or low speed set by the SPEED key.

NATURAL WIND:

The fan delivers air based on a preset program that simulates natural wind.

SLEEP WIND:

The fan will drop the speed level by level and then turns itself off automatically at the end.

Tilt Adjustment

To adjust the air flow upward or downward, hold and move the fan grills gently to the desired direction.

OPERATING INSTRUCTIONS

CONTROL PANEL OPERATTON

CONTROL PANEL

“SPEED ON/OFF” button

Press this button once to switch fan on. Continue pressing to select speed in sequence: Low - Medium - High.

The corresponding speed indicator will illuminate. After cycling through the modes, press again to turn off.

“MODE” button

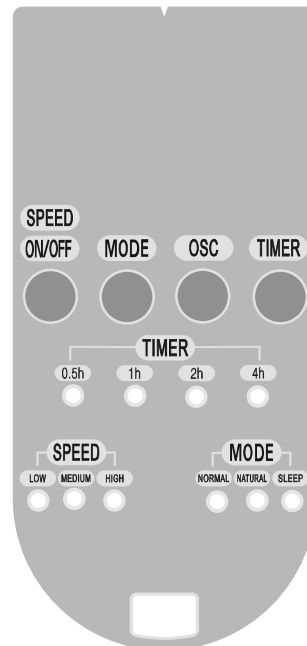
Same function as the remote

“OSC” button

Same function as the remote

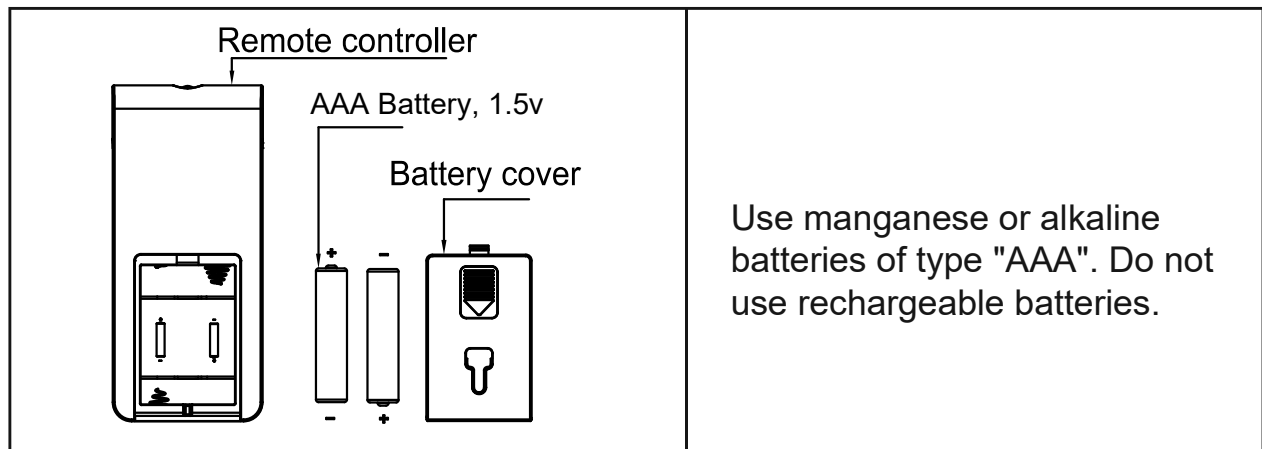
“TIMER” button

Same function as the remote



OPERATING INSTRUCTIONS

BATTERIES INSTRUCTIONS (not included)



Use manganese or alkaline batteries of type "AAA". Do not use rechargeable batteries.

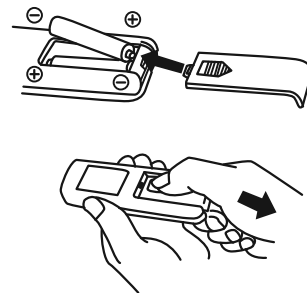
1. Press down on the battery compartment cover and slide it out.
2. Insert the batteries, making sure that the positive terminals are facing the proper way.
3. Replace the cover.

Note:

Use manganese or alkaline batteries of type "AAA".
Do not use rechargeable batteries.

BATTERY WARNING

1. Do not dispose of batteries in fire, batteries may explode or leak.
2. Do not mix old and new batteries.
3. Do not mix alkaline, standard (carbon-zinc) or rechargeable (nickel-cadmium) batteries.



HOW TO USE THE REMOTE CONTROLLER CORRECTLY

Point the remote controller at the receptor on the control panel of the fan and press the desired button. The remote controller will work at distance of up to roughly 16 feet and the angle of 30 degrees to the left or right and left from the receptor.

OVERHEAT PROTECTION OF THE MOTOR

A thermal fuse is installed in the motor that will prevent the motor from overheating due to any unexpected reasons.

MAINTENANCE INSTRUCTION

The fan requires little maintenance. Do not try to fix it by yourself. Refer it to qualified service personnel if service is needed.

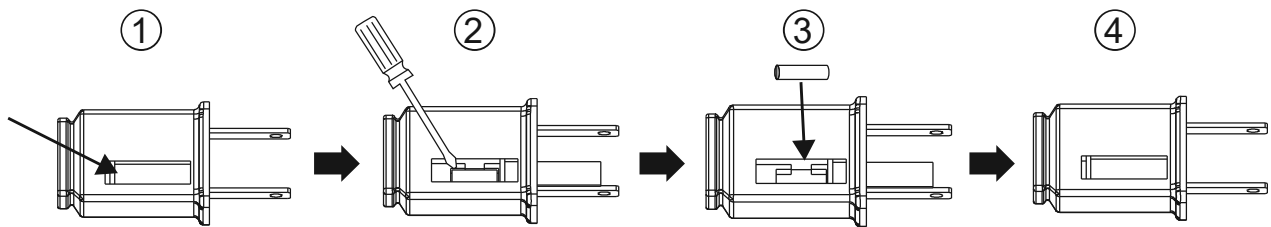
1. Before cleaning and assembling, fan must be unplugged.
2. To ensure adequate air circulation to the motor, keep vents at the rear of the motor free of dust. Do not disassemble the fan to remove dust.
3. Please wipe the exterior parts with soft cloth with mild detergent.
4. Do not use any abrasive detergent or solvents to avoid scratching the surface. Do not use any of the following as a cleaner: gasoline, thinner.
5. Do not allow water or any other liquid into the motor housing or interior parts.

CLEANING

1. Be sure to unplug from the electrical supply source before cleaning.
2. Plastic parts can be cleaned with mild soap and a damp cloth or sponge. Follow with clean damp towel to remove soap film.
3. Be sure water or other liquid does not come in contact with the motor.

FUSE REPLACEMENT

- a) Grasp plug to remove from the receptacle. Do not unplug by pulling on the cord.
- b) Fuse is located on the plug. Slide the fuse cover towards the blades to open. (Fig. ①)
- c) Remove fuse carefully. Using a tweezer, insert the tip of your tool into the fuse slot and grasp one end. Remove the fuse gradually and slowly - do not overexert. If it feels tight, wiggle gently to remove little by little. When one side of the fuse has come loose, you can remove the fuse entirely. (Fig. ②)
- d) Risk of fire. Replace fuse only with 2.5 Amp, 125 Volt fuse. (Fig. ③)
- e) Slide close the fuse access cover. (Fig. ④)
- f) Risk of fire. Do not replace attachment plug. It contains a safety device (fuse) that should not be removed. Discard product if the attachment plug is damaged.



● Notice:

- 1. When replacing the fuse, do not overexert or product may be damaged.
- 2. If it seems too hard to install, make sure you have got the right fuse type.

Your Guarantee

If this product is found to be faulty as a result of faulty materials or workmanship within one year from date of purchase, it will be repaired free of charge.

This guarantee is subject to the following terms:

- Sunpentown must be notified of the fault.
- Proof of purchase must be presented to Sunpentown's nominated representative.
- The warranty will be void if the product is modified, misused or repaired by an unauthorized person.
- The warranty after repair will not be extended beyond the original one-year period.
- All replacement parts will be new or reconditioned.
- Parts, which are replaced, become the property of Sunpentown.
- The warranty applies for the use of the product in the USA only.

What is NOT COVERED:

- Warranty does not include freight charges.
- Incidental or consequential damage caused by possible defects with this product.
- Damage to product caused by improper power supply voltage, accident, fire, floods or acts of nature.
- Failure of product resulting from unauthorized modifications to the product.
- Improper installation or failure to perform the necessary maintenance.

This GUARANTEE is in addition to your Statutory Rights

SUNPENTOWN INTERNATIONAL INC.
14625 Clark Ave, City of Industry, CA 91745
Tel: 800-330-0388
service@sunpentown.com
www.sunpentown.com